



# KITCHEN EQUIPMENT

SERVING THE FOOD INDUSTRY SINCE 1951

## 13-INCH BLADE GEAR-DRIVEN SLICER WITH 0.47 HP Item: 38917 | Model: MS-IT-0330-C



**EXCELLENT, EASY-TO-USE SLICER  
PERFECT FOR YOUR KITCHEN**

► Ideal for deli or sandwich shops and restaurants

This slicer is NSF8-2010 approved and meets the highest levels of hygiene and safety. The two independent motors and gear drive system ensure precise and effortless slicing.



**WARRANTY**  
PARTS AND LABOR



NEMA 5 - 15 125 VAC / 15 AMP	
------------------------------------	--



Authorized Dealer

# KITCHEN EQUIPMENT

13-INCH BLADE GEAR-DRIVEN SLICER WITH 0.47 HP



## FEATURES

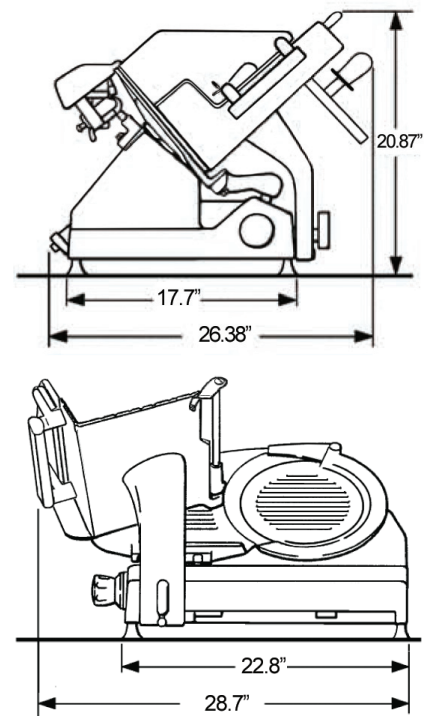
- ON/OFF one touch stainless steel switches with LED flush with slicer casting
- Removable parts for cleaning: blade cover, product-holder plate, aluminium meat grip, stainless steel slice deflector
- Fast - no tools removable meat grip
- Blade with narrow band of chromium - plated hardened steel
- 45° inclined blade
- Rotatable and removable sharpener
- Dual action sharpener
- Fixed ring guard
- Interlock on gauge plate on zero position
- Readily removable transparent Plexiglas Protection on product-holder plate



## TECHNICAL SPECIFICATIONS

ITEM NUMBER	38917
MODEL	MS-IT-0330-C
BLADE	13" / 330 mm
POWER	0.35 kW / 0.47 HP
CHEESE SLICING*	
SLICING VOLUME*	8 hours or more
CUTTING SIZE	<div style="display: flex; align-items: center;"> <div style="border: 1px solid black; width: 15px; height: 10px; margin-right: 5px;"></div> <span>10.6" x 6.7" / 269.24 x 170.18 mm</span> </div> <div style="display: flex; align-items: center;"> <div style="border: 1px solid black; width: 15px; height: 10px; margin-right: 5px; border-radius: 50%;"></div> <span>9.45" / 240 mm</span> </div>
CUT THICKNESS	0 - 0.55" / 0 - 14 mm
RPM	240
VOLTAGE	120V / 60Hz / 1Ph
WEIGHT	94.8 lbs. / 43 kg.
PACKAGING WEIGHT	110 lbs. / 50 kg.
DIMENSIONS	26.38" x 28.7" x 20.87" 670 x 729 x 530 mm
PACKAGING DIMENSIONS	32.7" x 28" x 26.7" 831 x 711.2 x 678.2 mm

## TECHNICAL DRAWINGS AND DIMENSIONS



In compliance with Province of Quebec Safety Standards

\*CHEESE SLICING RATINGS NOT RECOMMENDED → POOR → AVERAGE → GOOD → EXCELLENT →

\*Results may vary due to product consistency and temperature

## OMCAN INC.

Telephone: 1-800-465-0234

Fax: (905) 607-0234

Email: sales@omcan.com

Website: www.omcan.com



Follow us to keep up to date with the latest news and offers



2016.E.O.E